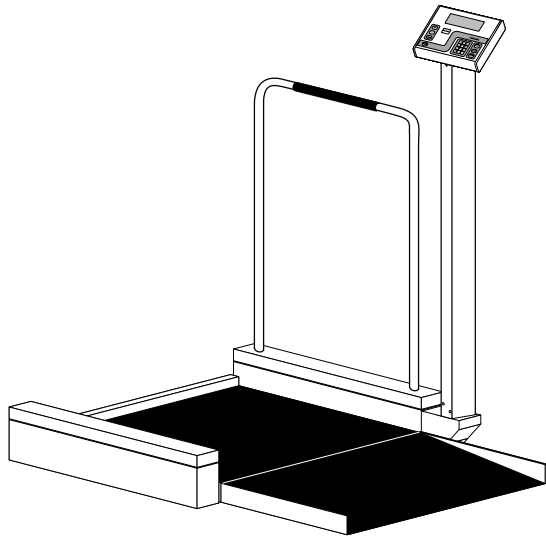




PRODUCT SPECIFICATIONS

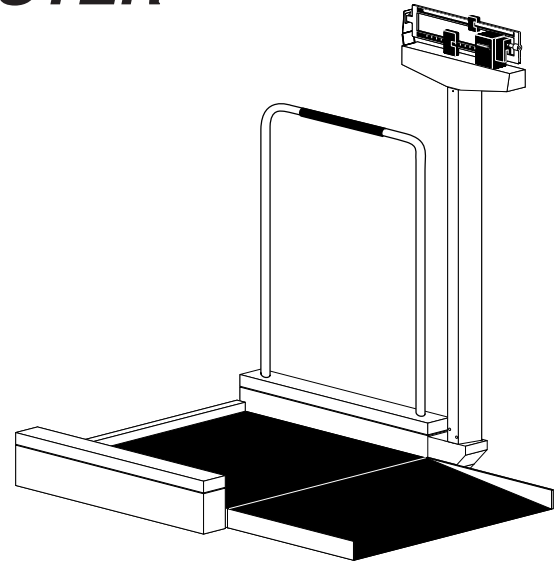
Detecto's Floor Huggers Makes Weighing Immobile Patients EASIER and FASTER



Dual Capacity Digital Model 6495

The 6495 offers speed and increased accuracy that only electronic digital weighing can provide - weight in pounds or kilograms at the press of a button. The weight display is mounted on tilt mount which permits the indicator to be angled for easy viewing. A keypad for entry of known empty chair weights is also provided, this giving the exact weight of the patient accurately and instantly in large .7" digits.

Capacity: 400 lb x .2 lb/180 kg x .1 kg
Platform: 30"L x 26"W x 2"H with nonskid mat removable ramp
Digital Display: .7" high, LCD readout, lb/kg selector switch
Keypad Tare: Permits entry of known wheelchair weight.
Power: 6 "C" size batteries
Color: White
Shipping Weight: 177 lb



**Mechanical Pound Model 495/
Kilogram Model 4951**

These mechanical beam scales provide the economic answer to weighing of patients in wheelchairs. Quality is enhanced by a precision die-cast weigh beam which is easily read from either side. The weight beam is located at a height above the platform where patient or attendant can perform the weighing operation.

Capacity - 495: 350 lb x 4 oz
4951: 140 kg x 100 g
Platform: 30"L x 26"W x 2"H with nonskid mat removable ramp
Color: White
Shipping Weight: 194 lb

Die-cast, dual sided beam, graduated in 1/4 lb (.1 kg) increments for easy readability.



Cardinal Scale reserves the right to improve, modify, or enhance features and specifications without prior notice.

