



CONTINUOUS OPERATION (UP TO 200 HOURS)

The QC can operate in reduced space because its small size, also where there is no electrical supply thanks to its long lasting rechargeable battery (200 Hours, approx.)



RESISTANT

Cabinet and plate are high quality stainless steel, providing long lasting life.

VERY EASY TO USE

Only read the visual guide on the keyboard for quick operation

Toggles between Kg, lb y Oz
Except QC-20/40



Press SAMPLE key



Press ENTER key, the scale will calculate an average weight of each sample piece. Save weight at the memory key and when you have to count the same piece, only remember the memory in which you save it.



Put a piece sample on the plate



Press ENTER, automatically scale will count the pieces over the plate. If you require to count several closed packages, the scale features addition function, pressing this function will keep the sample and when you are done you will get a total.



Type number of sample pieces

SPECIFICATIONS

	QC-5/10	QC-10/20	QC-20/40
Capacity	5 kg/10 lb/160 oz	10 kg/20 lb/320 oz	20 kg/40 lb
Minimum division	0.0005 kg/0.001 lb	0.001kg/ 0.002 lb	0.002 kg/0.005 lb
Programmable memories	100 memories		
Units	kg/lb/oz	kg/lb/oz	kg/lb
Display	Alphanumeric liquid crystal display		
Power supply	110 v/60 Hz (220 v /50 Hz Optional)		
Battery	Rechargeable 200 hours approximately		
PC communication	Included		
Back light	Included		
Plate dimensions	25 x 17 cm (9 x 6" IN)	29 x 38 cm (11 x 15" IN)	
Maximum tare	2.5kg/ 5 lb	5kg/10 lb	10kg/20 lb
Platform connection	included		Not available
Maximum unit weight	9999.99		
Operation temperature	-10 to 40 °C (14 to 104°F)		
Storage temperature	-20 to 50°C (-4 to 122 °F)		
Net weight	5.8 kg/ 12.8 lb	5.8 kg/ 12.8 lb	11.4 kg/ 25.1 lb
Shipping weight	8.5 kg/ 18.7 lb	8.5 kg/ 18.7 lb	13.9 kg/ 30.6 lb



SAMPLING TABLE

Indicates the number of pieces you should sample in order to obtain the more precise unit weight, allowing trustable inventories.



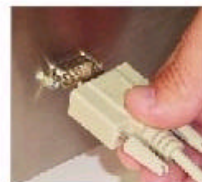
VERY EASY TO USE

The QC Model includes instructions in a visual guide on the keyboard for quick operation, saving time on inventories



EASY TO READ DISPLAY

A backlight alphanumeric liquid crystal display enhance visibility even in dark areas.



PC COMMUNICATION

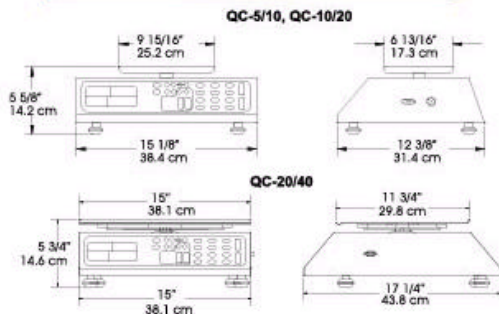
Includes PC or printer interface through RS-232 serial port.



REMOTE PLATFORM CONNECTION (OPTIONAL)

The Counting scale QC model is an excellent tool for inventory operations, includes a connection for remote platform (Unit 1,000 kg/2,000 LB) in case of large volume inventories in order to efficient time spent in this operations.

DIMENSIONS



OPTIONAL ACCESSORIES

- Connection for remote platform
- 50 kg (100 lb) to 1000 kg (2000 lb) capacity platform.
- Car lighter adapter



*Available only at scales ordered under this spec

DISTRIBUTED BY



ALL INFORMATION IS SUBJECT TO CHANGE WITHOUT NOTICE